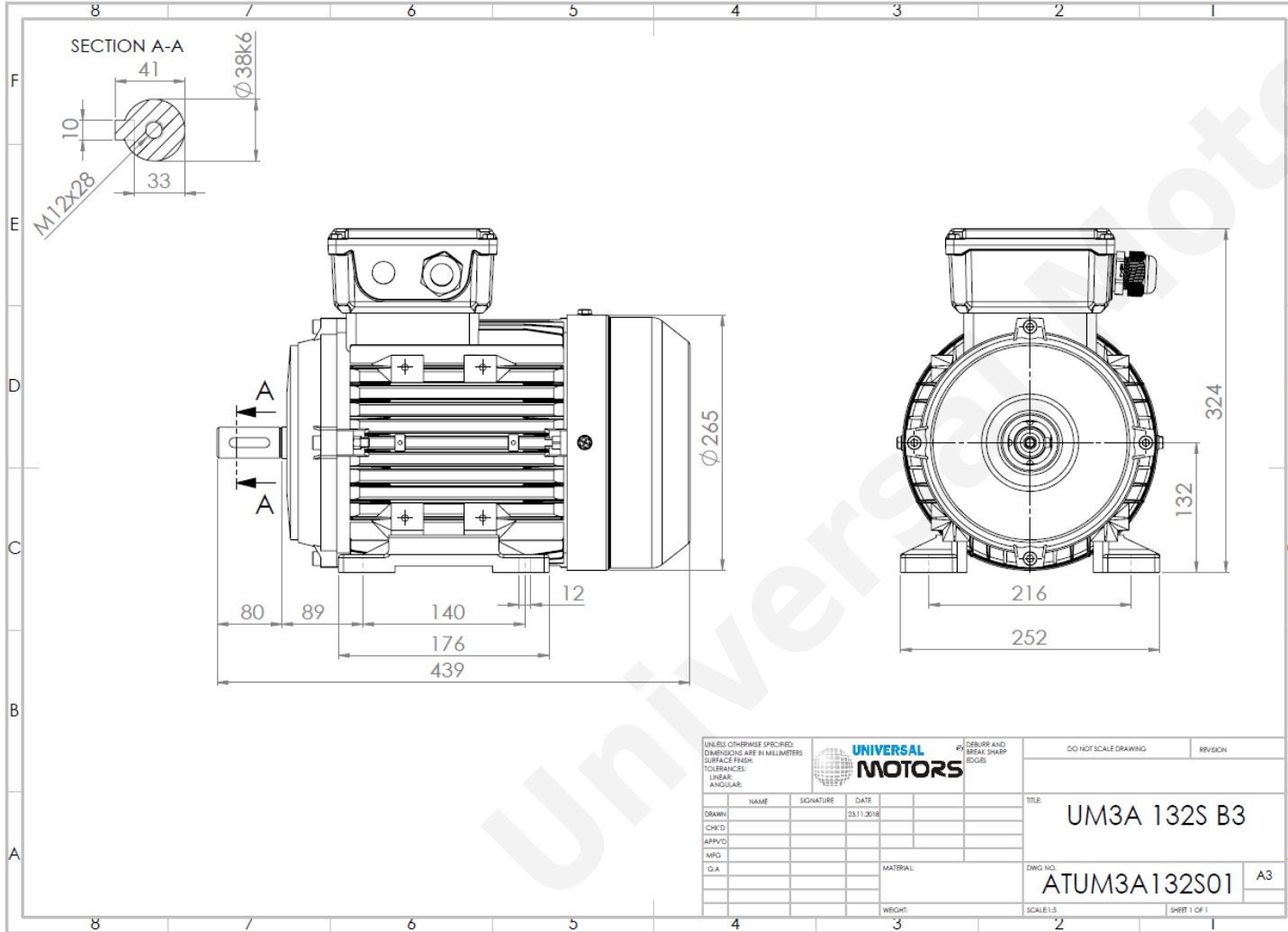




# TECHNICAL DATA

Three Phase Electric Motors - Aluminum Frame  
 PE31 132S1-2  
 5.5 kW / 7.5 Cv  
 2920 RPM



Motor type:	<b>PE31 132S1-2</b>
Output:	<b>5.5 kW / 7.5 Cv</b>
Speed (min <sup>-1</sup> ):	<b>2920 RPM</b>
Frequency:	<b>50 Hz</b>
Voltage:	<b>400 V</b>
Current:	<b>10.1 A</b>
Power factor (Cos Ø):	<b>0.88</b>
Poles:	<b>2</b>
Insulation class:	<b>F</b>
Temperature rise Class:	<b>B</b>
Efficiency 50%:	<b>87.4 %</b>
Efficiency 75%:	<b>88.3 %</b>
Efficiency 100%:	<b>89.2 %</b>
Torque:	<b>18.0 N.m</b>
Tstarting/Tnominal:	<b>2.2</b>
Istarting/Inominal:	<b>8.0</b>
Tmaximum/Tnominal:	<b>2.3</b>
Noise:	<b>85 Db(A)</b>
Weight:	<b>45 Kg</b>
Bearing DE:	<b>6308 2Z C3</b>
Bearing NDE:	<b>6308 2Z C3</b>

UNLESS OTHERWISE SPECIFIED: DIMENSIONS ARE IN MILLIMETERS SURFACE FINISH: TOLERANCES: LINEAR: ANGULAR:			UNIVERSAL MOTORS		#1 DEBURS AND BREAK SHARP EDGES		DO NOT SCALE DRAWING		REVISION		
DRAWN:	NAME:	SIGNATURE:	DATE:	TITLE:		UM3A 132S B3		DWG NO.:		A3	
CHK'D:	MATERIAL:		ATUM3A132S01		SCALE: 1:1		SHEET 1 OF 1				
APP'VD:	WEIGHT:										
MFG:											
Q.A.											

Regime - S1

Altitude - 1000m

Environment Temperature - 40°C

## CONTACTS:

UNIVERSAL MOTORS Tel: +351 252 299 080  
 Rua de São Brás,745 Fax: +351 252 299 089  
 4480-782 VILA DO CONDE Mail: [geral@universalmotors.pt](mailto:geral@universalmotors.pt)

\* References applied only in the UK